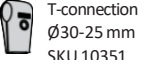

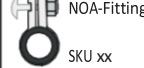
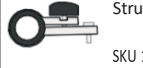





















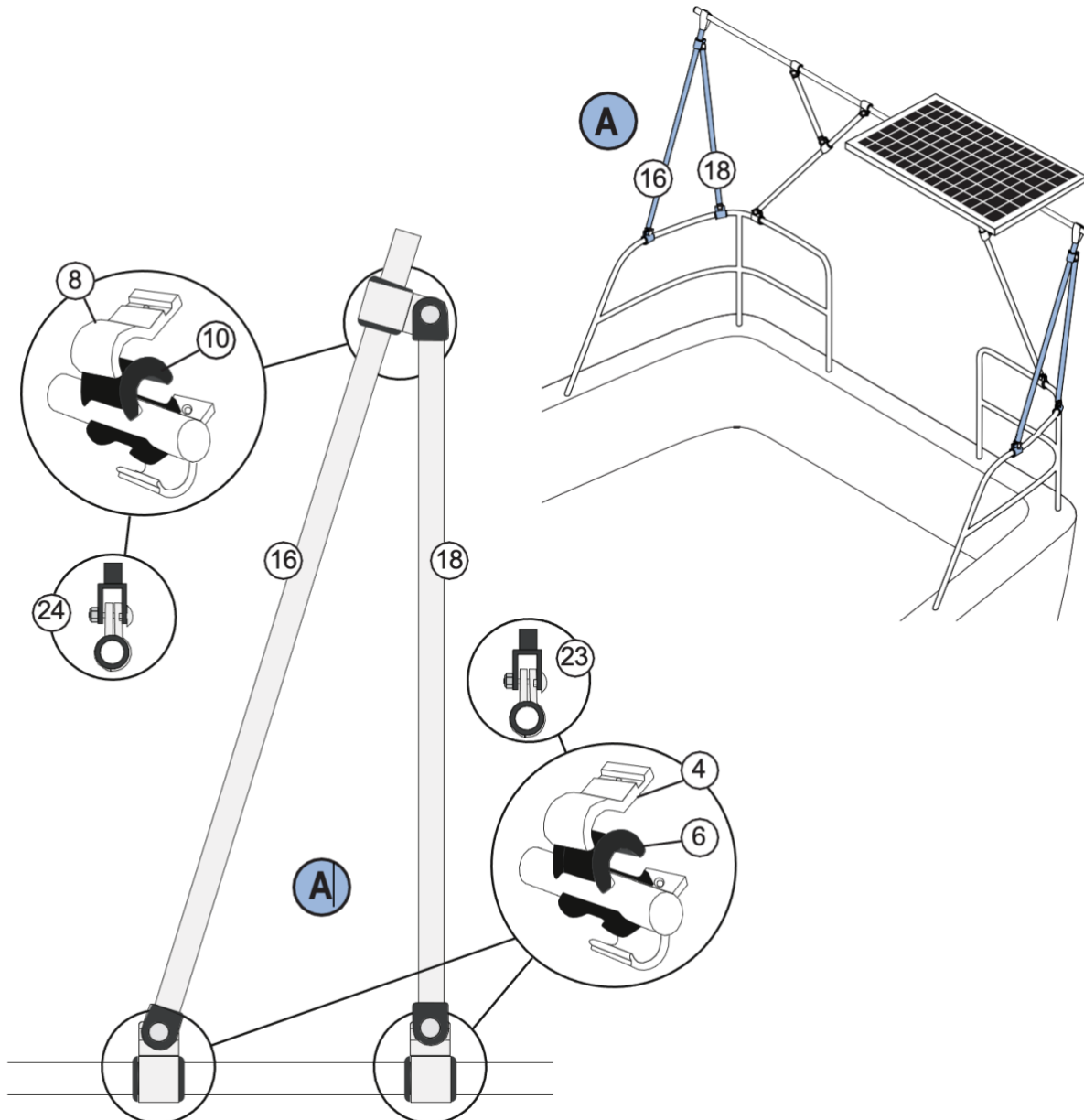


Aufbauanleitung NOA Geräteträger/ Mounting Instruction NOA Stern Arch

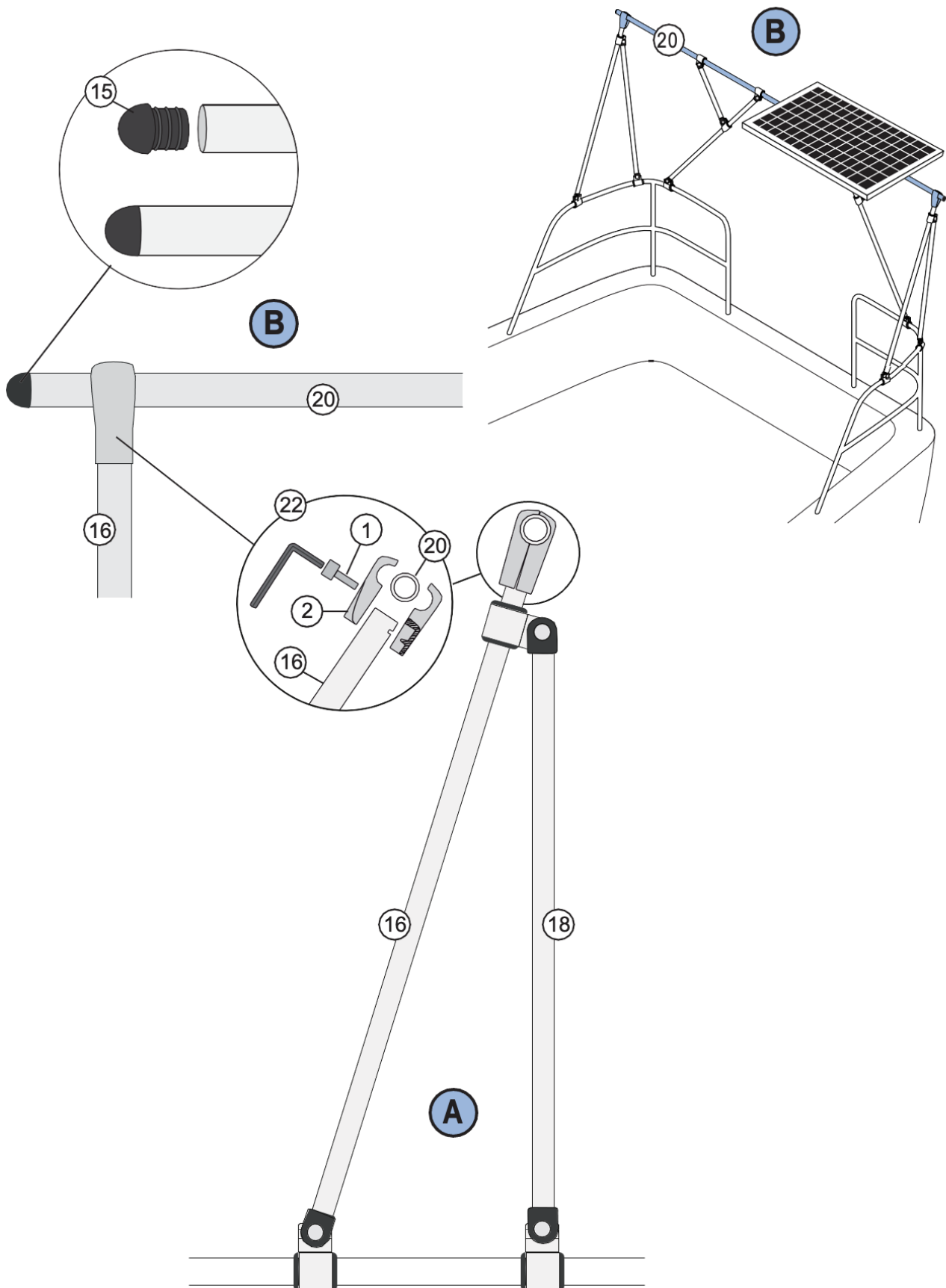
Lieferumfang/In the Box:

 T-connection Ø30-25 mm SKI 110351 22	 NOA-Fitting SKU 10802 23	 NOA-Fitting SKU xx 24	 Strut-Fitting SKU 10606 25	Parts  End plug Ø35 be SKU 11525 15  Tube + fitting Ø30x1300 16  Tube + fitting Ø30x480 17  Tube + fitting Ø30x1090 18  Tube + fitting Ø30x1300 19  Tu Ø25x2500 20  26 Allen key SKU 10352
 M10x35 1  Alu-half (pair) 2	 M8 Ø30mm M8x40 25mm 3  4  5  6	 M8 Ø35mm M8x40 30mm 7  8  9  10	 Ø30mm M8x16 25mm 11  12  13  14 Strut-profile 21	

Montage der Geräteträger-Beine/Mounting the Arch-legs



Montage der Geräteträger Brücke/Mounting the Arch bridge



Montage der Solarmodul-Halterung/Mounting the Solar Panel mount set

